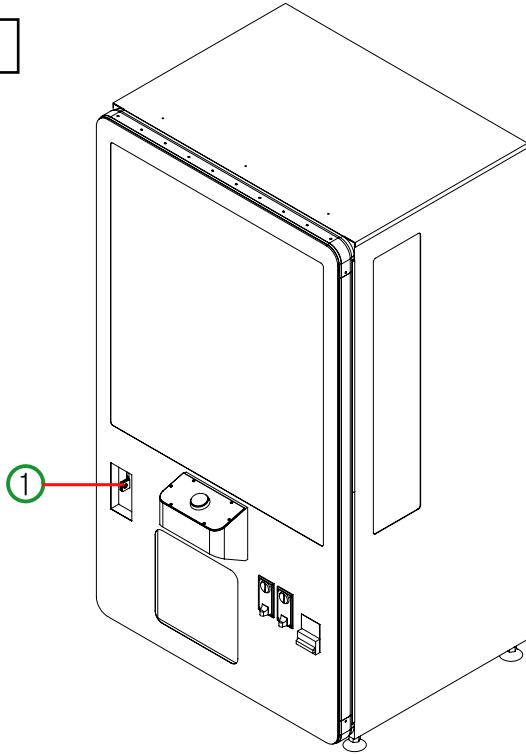


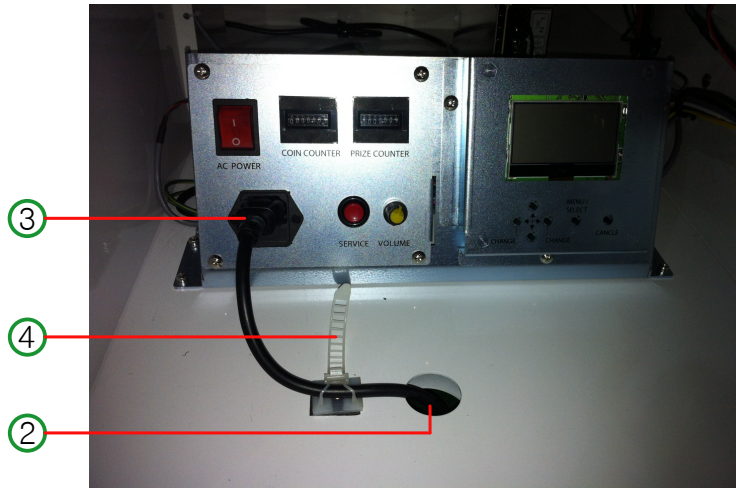
# INSTALLATION [ AC CORD & BUTTON PANEL ]

1



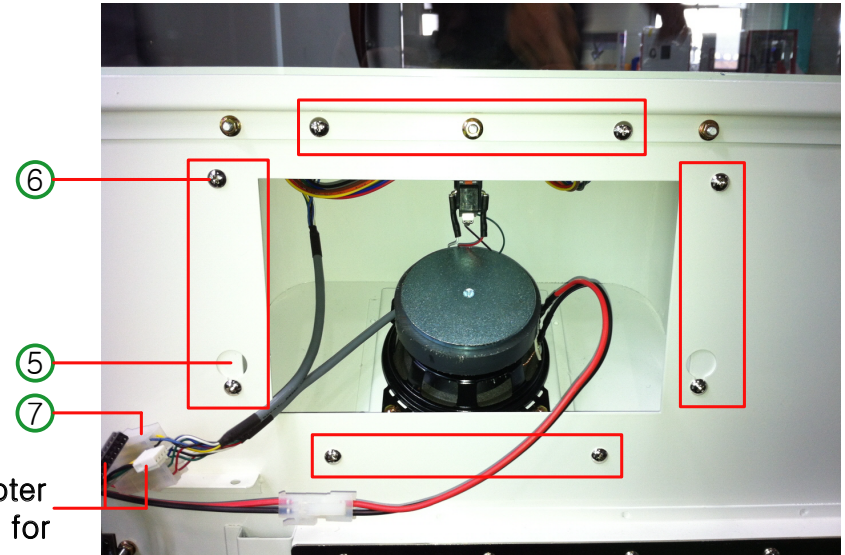
- ① Open door using door bracket.

2



- Connect AC Cord in Control panel ③ through internal hole ② and fix it with cable tie ④.

3



\* BILL Acceptor connection for connector

- After fasten bolt in Button panel Ass'y, hang it on cabinet using holes (2Ea: ⑤). Then fasten rest of bolts (M4 bolt x 8Ea). Connect main connector with cable from button panel ass'y

4



- Complete the Ass'y as shown picture.