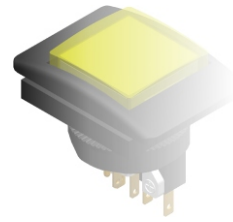


A0151

Subminiature Push Button
(CG/E-SM/CV)



Technical Data

Features

Subminiature Push Button.

Manufactured in high quality technical plastics.

Available an extensive range of colours.

Lighting through LED or T5-T6 Lamp.

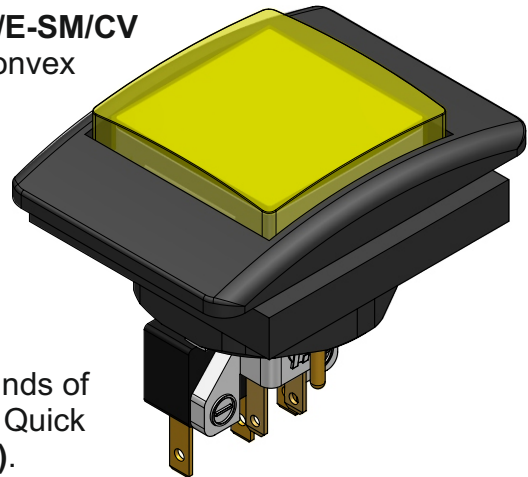
Microswitch variety.

Applications

Gaming machines where Subminiature Convex Push Button are needed.

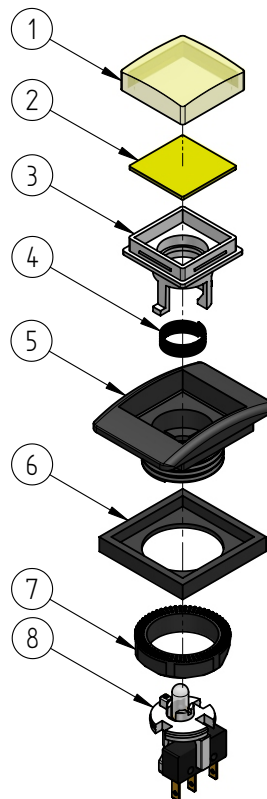
The I.P.B. **A0151 CG/E-SM/CV** belongs to serie IL Convex Subminiature. Is High/Low profile Push Button with Large Square shape and can be mounted depending on convenience.

It's available in two kinds of fixations, Plug-in and Quick Turn System (**A015B**).



(Industrias Lorenzo, S.A. has a large range of push buttons on catalogue where push buttons with and without illumination can be seen, for further information visit: <http://www.industrias-lorenzo.com>)

(5) I.P.B. BEZEL "CG/E-SM/CV"		
# PART NUMBER	MATERIAL	COLOUR
C-01-01651010	A.B.S.	NATURAL
C-01-01651016		WHITE
C-01-01651017		BLACK
C-01-01651019		GRAY
S-01-016510102		GOLDEN C.
S-01-016510103	SILVER C.	
C-01-01651033	PC (Clear)	GREEN
C-01-01651034		AMBER



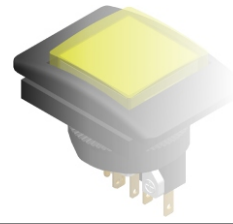
(1) LENS CAP "CP"		
# PART NUMBER	MATERIAL	COLOUR
C-01-50103001	PC (Clear)	RED
C-01-50103002		YELLOW
C-01-50103003		GREEN
C-01-50103004		AMBER
C-01-50103005		BLUE
C-01-50103006		TRANSPARENT

(2) PLASTIC LEGEND "CP"		
# PART NUMBER	MATERIAL	COLOUR
C-01-51103001	PS	RED
C-01-51103002		YELLOW
C-01-51103003		GREEN
C-01-51103004		AMBER
C-01-51103005		BLUE
C-01-51103006		WHITE
C-01-51103010	A.B.S.	OPAL
C-01-51103066	PC	OPAL

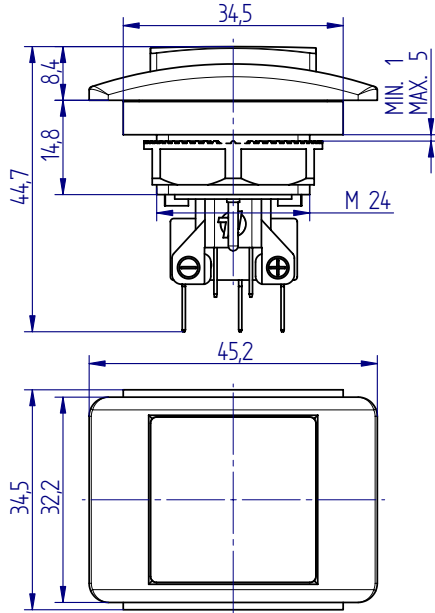
GAMING > ILLUMINATED PUSH BUTTONS
A0151

Industrias Lorenzo, S.A.

Subminiature Push Button
 (CG/E-SM/CV)

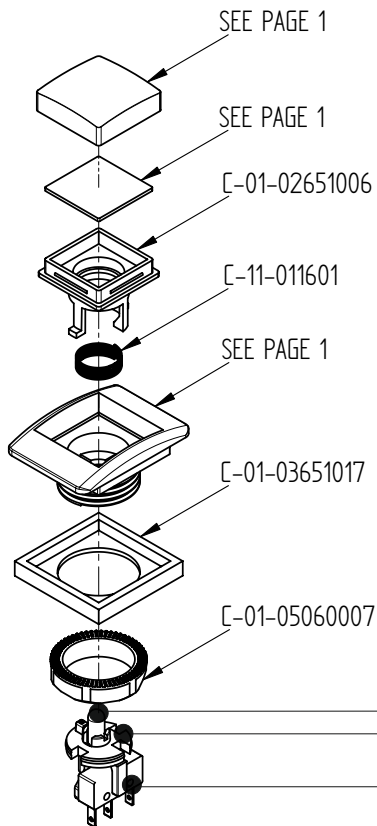
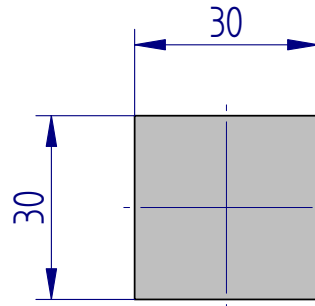


Technical Data



PANEL MOUNTING

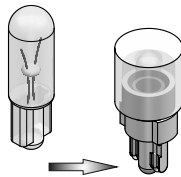
Dimensions



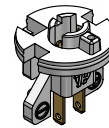
Available Lamps:

T-5	6V	1W	0,16A
T-5	12V	1W	0,08A
T-5	12V	1,2W	0,10A
T-5	24V	1W	0,04A
T-6	14V	1,12W	0,08A
T-6	28V	1,2W	0,04A
T-6	6,3V	1,26W	0,20A

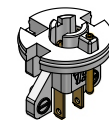
Also available "LED" (6V y 12V).



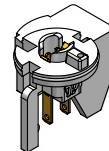
Lampholder SM USA
 Fast-on SM05 UL310



Lampholder SM (T-6)
 Fast-on SM05 UL310
 (Ground Pin optional)



Lampholder SM for normal Microswitch.
 Fast-on SM05 UL310



Available Microswitches:

- DB3 Cherry
- DB5 Cherry
- X4C SAIA

Exploded View

NOTE: Some modifications or adaptations might be available under special request.

www.industrias-lorenzo.com

English Rev:1.0.1

Contact
 Telf: (+34) 936 47 34 50
 e-mail: sales@industrias-lorenzo.com
 Avda. Prat de la Riba, 84
 08849 Sant Climent de Llobregat
 BARCELONA (SPAIN)